



L1G1P

GNSS L1/G1/E1 Passive Antenna

DESCRIPTION

The L1G1P is a professional grade, passive GNSS L1/G1/E1 antenna built for long lasting, trouble-free deployment. It is small and lightweight.

Built to support the wireless telecommunications industry, including DAS, the precise L1G1P antenna provides optimum signal quality.

FEATURES

- GNSS Bands:
 - GPS L1
 - GLONASS L1
 - GALILEO E1
- Typical Gain of 3dBiC
- Easy to install
- RoHs-Compliant (Pb-free)

OPTIONS

Please contact GPS Source for further information on product options.

RELATED PRODUCTS:

L1AW, L1PW, L1G1A-STD, L1G1A, S14GT, S18GT, RMS216, RMS232



L1G1P DATA SHEET

059-FAN-AKD-AAY-PYZ-001
12/22/2016
www.gpssource.com

1 L1G1P Specifications

Table 1-1. Electrical Specifications

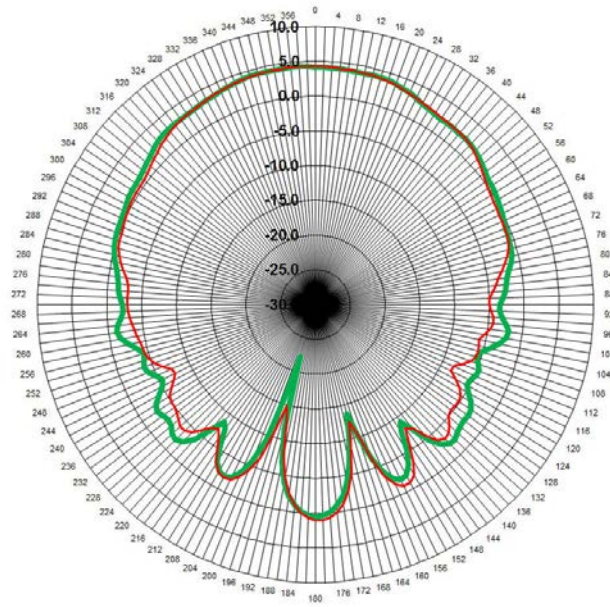
Operating Temperature -54°C to 71°C

Parameter		Conditions	Min	Typ	Max	Units
Frequency Range (Passband)	GPS L1	Ant: Output = 50Ω	1559	1575.42	1610	MHz
	GLONASS L1					
	Galileo E1					
Out Impedance				50		Ω
Element Gain	GPS L1	Output = 50Ω	> +3			dBiC
	GLONASS L1		>+3			
	Galileo E1		> +3			
Output SWR		Output = 50Ω			2:1	—
Polarization		Right Hand Circular				
Axial Ratio at Peak		< 6 dB Max				
Beam Width		75 +/-5° at -3dB from Peak (Free Space)				

2 Performance Data

2.1 L1 Radiation Pattern

Figure 2-1. Measured at 1575 MHz



3 Product Options

Table 3-1. L1G1P Available Options

Available Options		
	Type	Limitations
RF Connector	N Female	N/A
	SMA Female	N/A
	TNC Female	N/A
RF Mounting	PM - L-Bracket Pole Mount Hardware <i>(Pole is not included.)</i>	See Figure 3-1.
	PCM - Pole Cap Mount Hardware <i>(Pole is not included.)</i>	See Figure 3-2.
	PL -Pedestal Mount	See Figure 3-3

Figure 3-1. (PM) L- Bracket Pole Mount



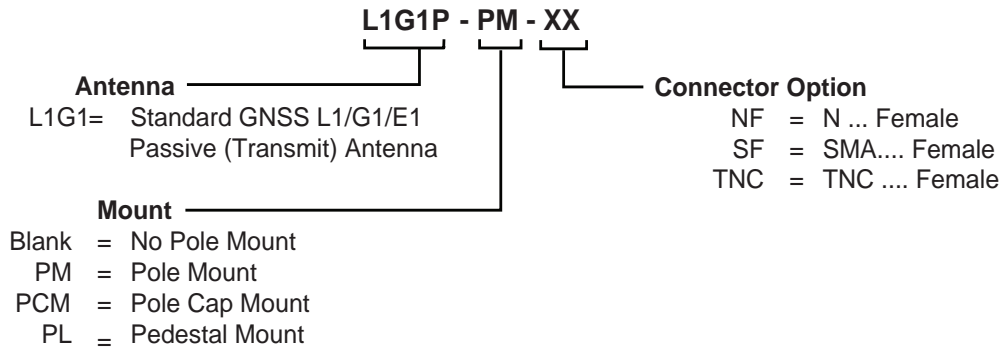
Figure 3-2. (PCM) Pole Cap Mount



Figure 3-3. (PL) Pedestal Mount



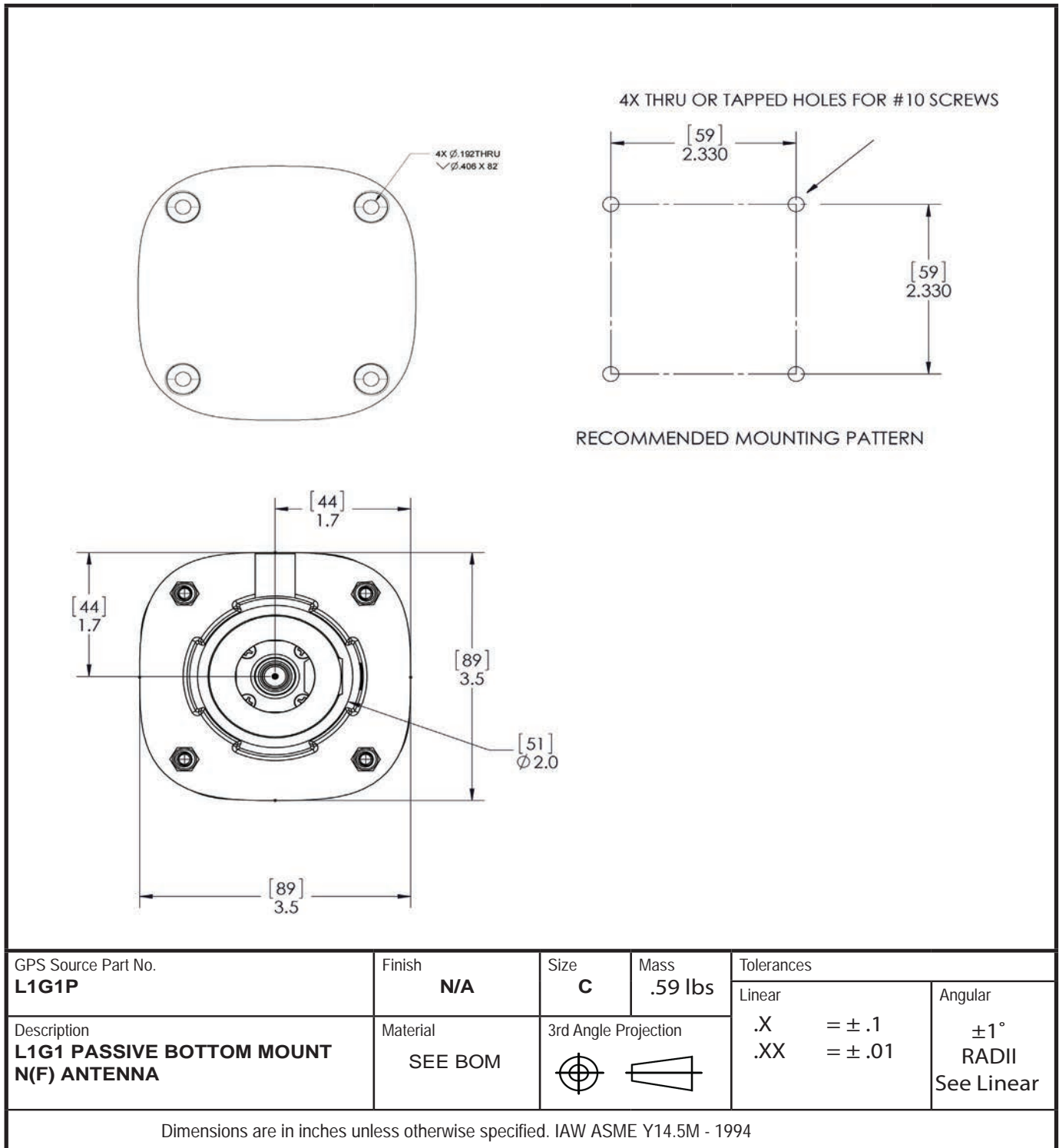
4 Product Code Decoder



Note: Other configurations are available for this GNSS antenna product. Contact GPS Source at wireless@gpssource.com or visit the website at www.gpssource.com.

5 Mechanical Drawing

5.1 L1G1P GNSS L1/G1/E1 Passive Antenna



L1G1P DATA SHEET

059-FAN-AKD-AAY-PYZ-001

Page 8 of 8, 12/22/2016



64 N. Mission Drive
Pueblo West, CO 81007
Phone: (+1)(719) 561.9520
Fax: (+1)(719) 565.0890
wireless@gpssource.com
www.gpssource.com

AS9100C:2009 and ISO 9001:2008 Compliant Company



© 2016 GPS Source, Inc. All rights reserved.

GPS Source, Inc., GPS Live Inside, GPS Source logo, and other GPS Source, Inc. products, brands, and trademarks mentioned in this document are property of GPS Source, Inc. and/or its affiliates in the United States and/or other countries. Other products, brands, and trademarks are property of their respective owners/companies. Any rights not expressly granted herein are reserved.

DISCLAIMER: The materials in this document could include inaccuracies or typographical errors and are subject to change at any time. The materials are provided "as is" without warranty of any kind. To the maximum extent permitted by applicable law, GPS Source, Inc. and its suppliers hereby disclaim all warranties, either expressed or implied, and conditions with respect to the materials, their quality, performance, suitability, merchantability, fitness for a particular purpose, title, and non-infringement. LIMITATION OF LIABILITY: IN NO EVENT WILL GPS SOURCE, INC. AND ITS SUPPLIERS BE LIABLE FOR INDIRECT, SPECIAL, INCIDENTAL, OR CONSEQUENTIAL DAMAGES, WHETHER IN AN ACTION OF CONTRACT OR TORT, ARISING OUT OF THE USE OR INABILITY TO USE THE MATERIALS AVAILABLE IN THIS DOCUMENT, EVEN IF ADVISED OF THE POSSIBILITY OF SUCH DAMAGES. IN PARTICULAR AND WITHOUT LIMITATION, GPS SOURCE, INC. SHALL HAVE NO LIABILITY FOR ANY LOSS OF USE, DATA, INCLUDING THE COSTS OF RECOVERING SUCH DATA, OR PROFITS.